



US-8-60W Quick Start Guide

Package Contents



UniFi Switch



Mounting Screws (Qty. 2)



Screw Anchors (Qty. 2)



Power Adapter



Power Cord

System Requirements

- Linux, Mac OS X, or Microsoft Windows 7/8/10
- Java Runtime Environment 1.8 or above recommended
- Web Browser: Google Chrome (Other browsers may have limited functionality)
- UniFi Controller software v5.3.x (or newer), available at: ui.com/download/unifi

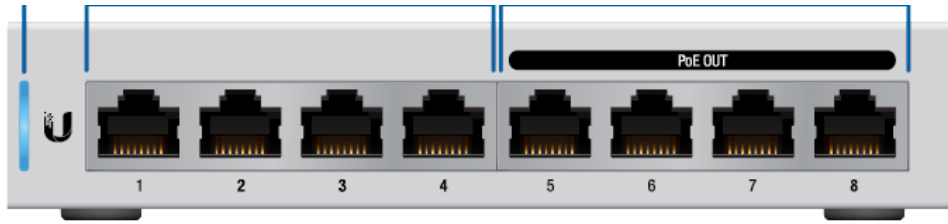


IMPORTANT: We strongly recommend using UPS backup and power regulation to prevent equipment damage due to stability issues with local AC power.

Hardware Overview

Front Panel

US-8-60W Quick Start Guide



1 System LED

[Click here](#) for detailed descriptions.

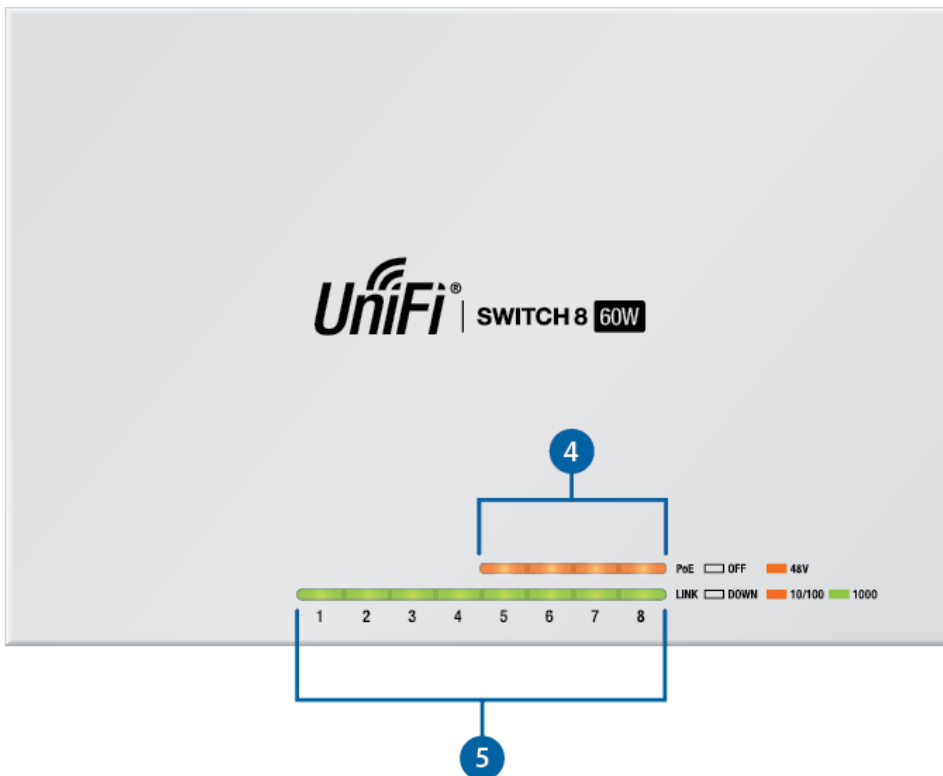
2 RJ45 (Ports 1 - 4)

RJ45 ports support 10/100/1000 Ethernet connections.

3 RJ45 (Ports 5 - 8)

RJ45 ports support 10/100/1000 Ethernet connections and auto-sensing 802.3af PoE.

Top Panel



4 PoE LED (Ports 5 - 8)

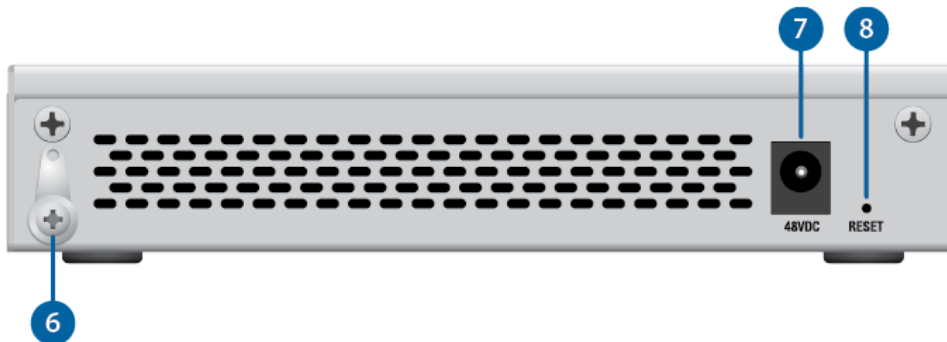
Off	PoE Off
Amber	PoE On (IEEE 802.3af)



US-8-60W Quick Start Guide

Off	No Link
Amber	Link Established at 10/100 Mbps Flashing Indicates Activity
Green	Link Established at 1 Gbps Flashing Indicates Activity

Back Panel



6 Ground

Optional ancillary grounding point.

7 Power

Connect the included Power Adapter to the Power port.

8 Reset Button

This button serves two functions for the UniFi Switch:

- **Restart** Press and release the Reset button quickly.
- **Restore to Factory Default Settings** Press and hold the Reset button for more than five seconds.

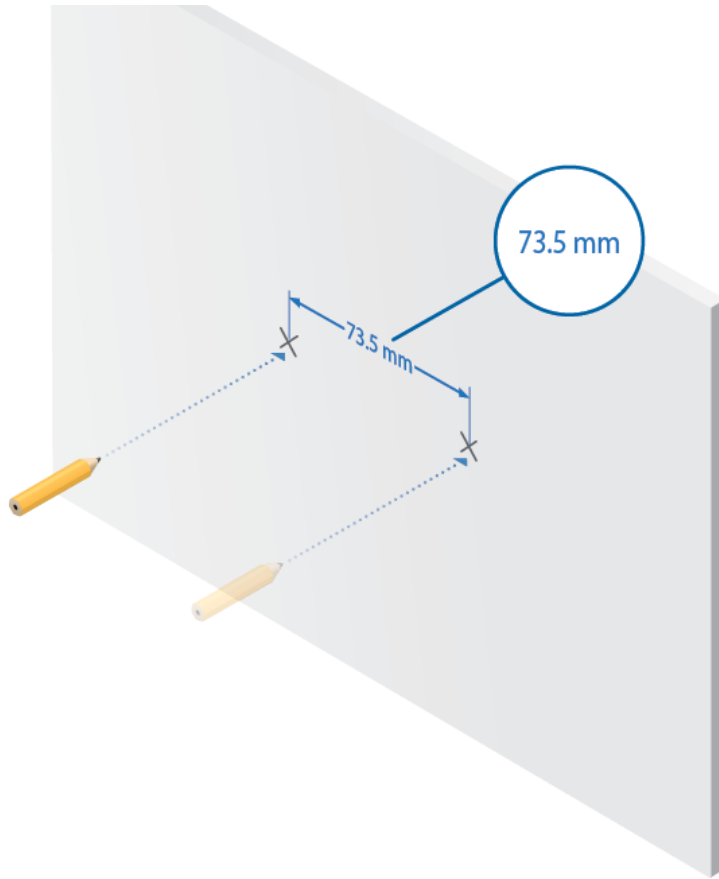
Hardware Installation

Wall Mounting (Optional)

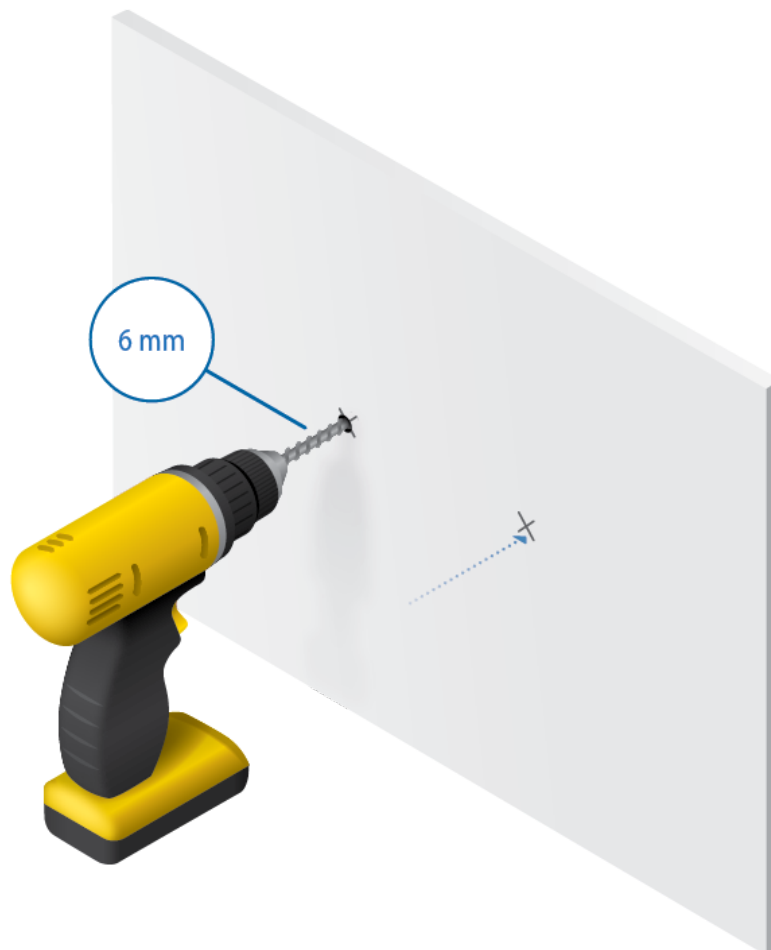
1.



US-8-60W Quick Start Guide



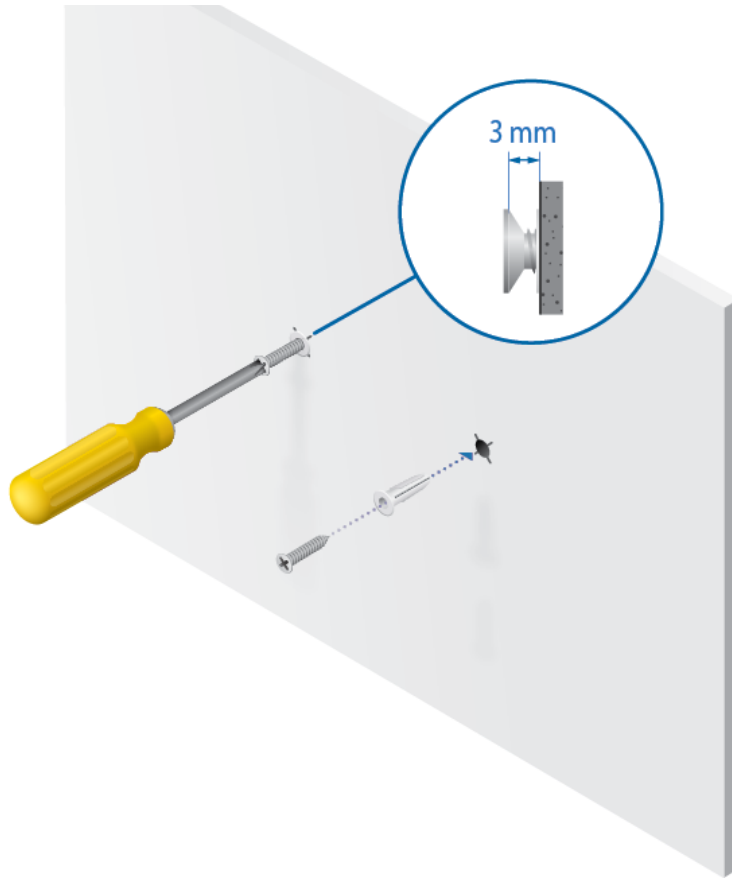
2.



3.



US-8-60W Quick Start Guide



4.

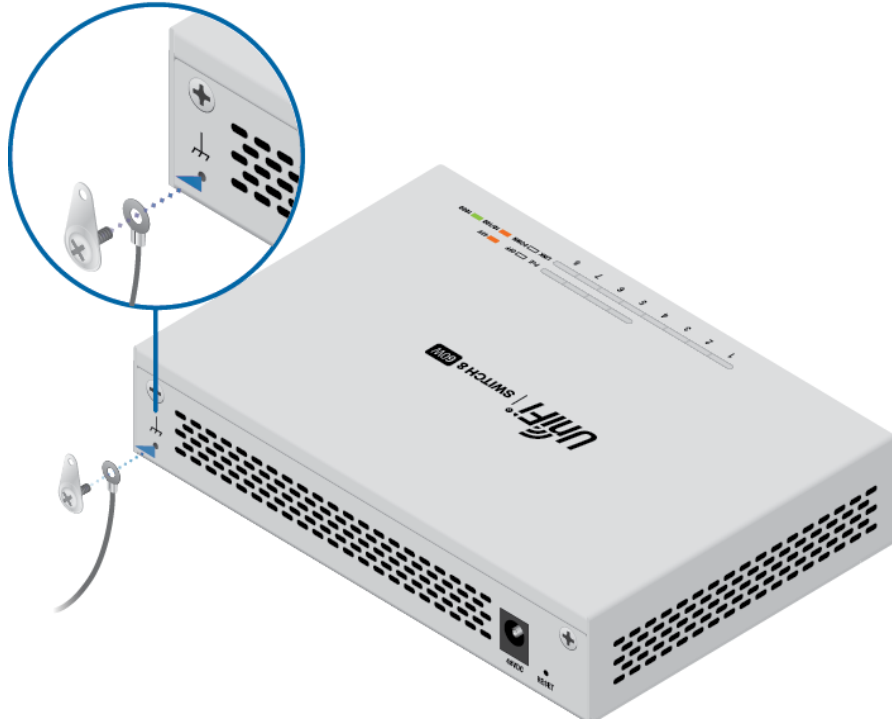




US-8-60W Quick Start Guide

The UniFi Switch is grounded through the Power Adapter; however, you can enhance ESD protection by connecting the ancillary ground.

1. Loosen the ground screw and secure a ground wire (not included) to the grounding point.



2. Secure the other end of the ground wire to a grounding block or other grounded structure.

Connecting Power

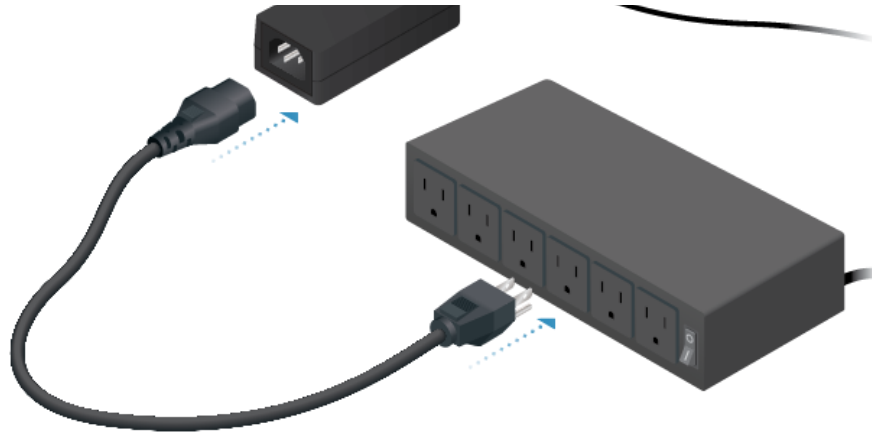
- 1.



- 2.



US-8-60W Quick Start Guide



Connecting Ethernet



Software Installation

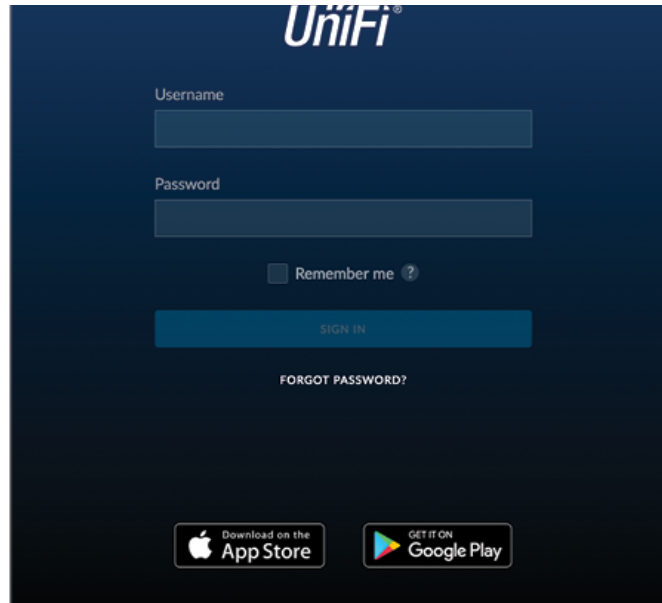
Download and install the latest version of the UniFi Controller software at ui.com/download/unifi and follow the on-screen instructions.



Note: If you already have UniFi Controller v5.3.x or higher installed, go to the section, Adopting the UniFi Switch.

After you have installed the software and run the UniFi Installation Wizard, a login screen will appear for the UniFi Controller management interface. Enter the username and password that you created and click Sign In.

US-8-60W Quick Start Guide



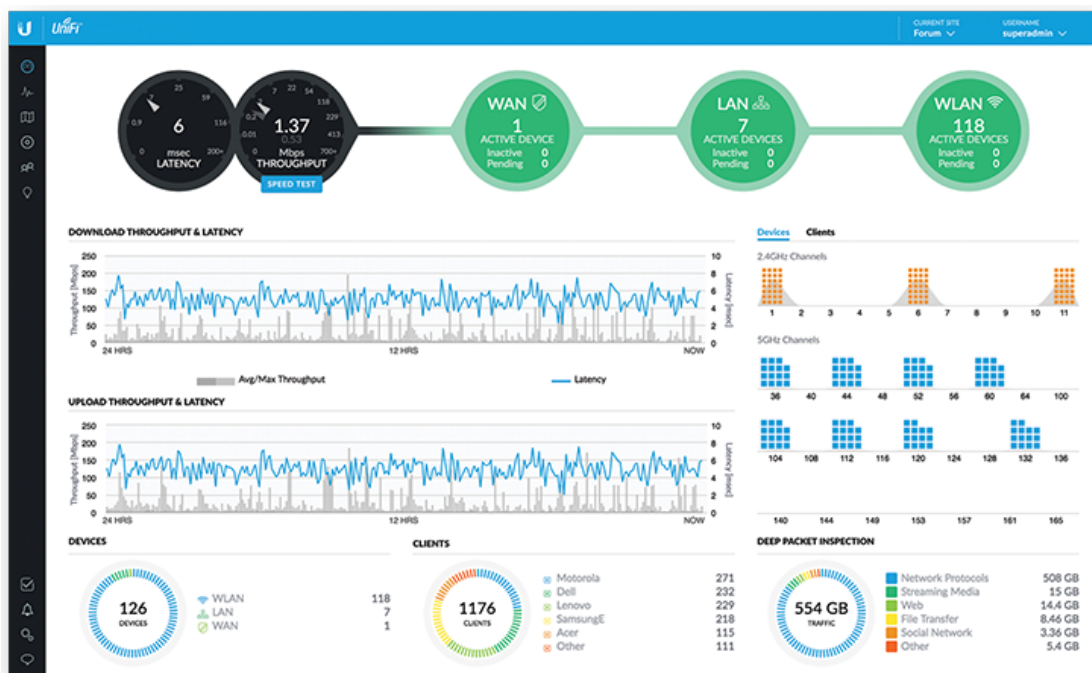
You can manage your network and view network statistics using the UniFi Controller management interface.

To adopt the UniFi Switch, proceed to the section, Adopting the UniFi Switch.

For information on configuring and using the UniFi Controller software, refer to the User Guide on the website: ui.com/download/unifi

Adopting the UniFi Switch

1. From the UniFi Controller dashboard, click Devices in the left menu bar.



2. Locate the UniFi Switch in the list of devices under the Model column. Click Adopt.

US-8-60W Quick Start Guide

DEVICE NAME	IP ADDRESS	STATUS	MODEL	VERSION	UPTIME	ACTIONS
192.168.1.1	192.168.1.1	CONNECTED	UniFi Switch 8	4.3.11.4852827	55m 45s	ADOPT
Attic-US-16-150W	192.168.1.233	CONNECTED	UniFi Switch 16 POE-150W	3.5.1.4088	106 18h 45m 7s	LOCATE RESTART
Downstairs-US-48-900W	192.168.1.191	CONNECTED	UniFi Switch 48 POE-900W	3.5.1.4088	46 21h 55m 15s	LOCATE RESTART
Workshop-US-48-750W	192.168.1.246	CONNECTED	UniFi Switch 48 POE-750W	3.5.1.4088	3d 21h 12m 13s	LOCATE RESTART
Rack-US-48-750W	192.168.1.6	CONNECTED	UniFi Switch 48 POE-750W	3.5.1.4088	46 21h 55m 29s	LOCATE RESTART
PatchPanel-US-8-150W	192.168.1.204	CONNECTED	UniFi Switch 8 POE-150W	3.5.1.4088	1d 8h 10m 17s	LOCATE RESTART
AC-Broadcom	192.168.1.231	CONNECTED	UniFi AP-AC v2	3.5.1.4088	46 21h 53m 4s	LOCATE RESTART
AC-LITE	192.168.1.162	CONNECTED	UniFi AP-AC-Lite	3.6.1.3553	3d 21h 17m 32s	LOCATE RESTART
AC-LR-Basement	192.168.1.137	CONNECTED	UniFi AP-AC-LR	3.6.1.3553	46 21h 54m 6s	LOCATE RESTART
44d9a7020433	192.168.1.197	CONNECTED	UniFi AP-AC-Lite	3.6.1.3553	3d 21h 1m 32s	LOCATE RESTART
44d9a7020444	192.168.1.198	CONNECTED	UniFi AP-AC-LR	3.6.1.3553	3d 19h 26m 8s	LOCATE RESTART
AC-Pro-Basement	192.168.1.7	CONNECTED	UniFi AP-AC-Pro Gen2	3.6.1.3553	46 21h 53m 31s	LOCATE RESTART
44d9a7020489	192.168.1.200	CONNECTED	UniFi AP-AC-Pro Gen2	3.6.1.3553	9d 17h 59m 46s	LOCATE RESTART
Prototype1-UAP-AC-Pro	192.168.1.182	CONNECTED (JUN PERK)	UniFi AP-AC-Pro Gen2	3.6.1.3553	1d 8h 9m 12s	LOCATE RESTART
AC-Pro-Crawlspace	192.168.1.134	CONNECTED	UniFi AP-AC-Pro Gen2	3.6.1.3553	3d 21h 19m 14s	LOCATE RESTART
Timeout	192.168.1.235	CONNECTED	UniFi AP-In Wall	3.5.1.4088	1d 8h 9m 14s	LOCATE RESTART
Living	192.168.1.136	CONNECTED	UniFi AP-In Wall	3.5.1.4088	1d 8h 8m 36s	LOCATE RESTART
Sitting	192.168.1.124	CONNECTED	UniFi AP-In Wall	3.5.1.4088	1d 8h 8m 16s	LOCATE RESTART
Master	192.168.1.158	CONNECTED	UniFi AP-In Wall	3.5.1.4088	1d 8h 8m 18s	LOCATE RESTART
Loft	192.168.1.139	CONNECTED	UniFi AP-In Wall	3.5.1.4088	1d 8h 8m 32s	LOCATE RESTART
Basement	192.168.1.140	CONNECTED	UniFi AP-In Wall	3.5.1.4088	1d 8h 8m 25s	LOCATE RESTART
24a43c942fd9	192.168.1.122	CONNECTED	UniFi AP-Outdoor+	3.5.1.4088	3d 17h 22m 54s	LOCATE RESTART
Pro-roamtest2	192.168.1.164	CONNECTED	UniFi AP-Pro	3.5.1.4088	1d 8h 20m 25s	LOCATE RESTART
Pro-roamtest	192.168.1.141	CONNECTED	UniFi AP-Pro	3.5.1.4088	3d 21h 16m 49s	LOCATE RESTART

3. The System LED on the UniFi Switch will turn blue to confirm that it has been successfully adopted.

Specifications

US-8-60W	
Dimensions	148 x 99.5 x 30.7 mm (5.83 x 3.92 x 1.21")
Weight	432 g (15.24 oz)
Networking Interfaces	(8) 10/100/1000 Mbps RJ45 Ports
PoE Interfaces	(4) Ports 5, 6, 7, 8: IEEE 802.3af
Power Method	48VDC, Max. 2A
Power Supply	External AC/DC Adapter: 48V, 1.25A
Max. Power Consumption	12W (Excluding PoE Output)
Max. PoE Wattage per Port	15.4W
PoE Output (Ports 5 to 8)	IEEE 802.3af 2-Pair (Pins 1, 2+; 3, 6-)
Line Rate	8 Gbps, Non-Blocking
LEDs	Status
System	PoE; Link/Speed/Activity
RJ45 Data Ports	
ESD/EMP Protection	± 24kV Air, ± 24kV Contact
Operating Temperature	-5 to 45° C (23 to 113° F)
Operating Humidity	5 to 95% Noncondensing
Certifications	CE, FCC, IC



US-8-60W Quick Start Guide

1. Read, follow, and keep these instructions.
2. Heed all warnings.
3. Only use attachments/accessories specified by the manufacturer.



WARNING: Failure to provide proper ventilation may cause fire hazard. Keep at least 20 mm of clearance next to the ventilation holes for adequate airflow.



WARNING: To reduce the risk of fire or electric shock, do not expose this product to rain or moisture.



WARNING: Do not use this product in location that can be submerged by water.



WARNING: Avoid using this product during an electrical storm. There may be a remote risk of electric shock from lightning.

Electrical Safety Information

1. Compliance is required with respect to voltage, frequency, and current requirements indicated on the manufacturer's label. Connection to a different power source than those specified may result in improper operation, damage to the equipment or pose a fire hazard if the limitations are not followed.
2. There are no operator serviceable parts inside this equipment. Service should be provided only by a qualified service technician.
3. This equipment is provided with a detachable power cord which has an integral safety ground wire intended for connection to a grounded safety outlet.
 - a. Do not substitute the power cord with one that is not the provided approved type. Never use an adapter plug to connect to a 2-wire outlet as this will defeat the continuity of the grounding wire.
 - b. The equipment requires the use of the ground wire as a part of the safety certification, modification or misuse can provide a shock hazard that can result in serious injury or death.
 - c. Contact a qualified electrician or the manufacturer if there are questions about the installation prior to connecting the equipment.
 - d. Protective earthing is provided by Listed AC adapter. Building installation shall provide appropriate short-circuit backup protection.
 - e. Protective bonding must be installed in accordance with local national wiring rules and regulations.

Limited Warranty

ui.com/support/warranty

The limited warranty requires the use of arbitration to resolve disputes on an individual basis, and, where applicable, specify arbitration instead of jury trials or class actions.

Compliance



US-8-60W Quick Start Guide

Changes or modifications not expressly approved by the party responsible for compliance could void the user's authority to operate the equipment.

This device complies with Part 15 of the FCC Rules. Operation is subject to the following two conditions.

1. This device may not cause harmful interference, and
2. This device must accept any interference received, including interference that may cause undesired operation.

This equipment has been tested and found to comply with the limits for a Class A digital device, pursuant to Part 15 of the FCC Rules. These limits are designed to provide reasonable protection against harmful interference when the equipment is operated in a commercial environment. This equipment generates, uses, and can radiate radio frequency energy and, if not installed and used in accordance with the instruction manual, may cause harmful interference to radio communications. Operations of this equipment in a residential area is likely to cause harmful interference in which case the user will be required to correct the interference at his own expense.

ISED Canada

CAN ICES-3(A)/NMB-3(A)

Australia and New Zealand



Warning: This equipment is compliant with Class A of CISPR 32. In a residential environment this equipment may cause radio interference.

CE Marking

CE marking on this product represents the product is in compliance with all directives that are applicable to it.



WEEE Compliance Statement

Declaration of Conformity

Online Resources



US-8-60W Quick Start Guide



© 2019 Ubiquiti Inc. All rights reserved.